

Mount Master Utility Block

Installation Instructions

U.L. Listed

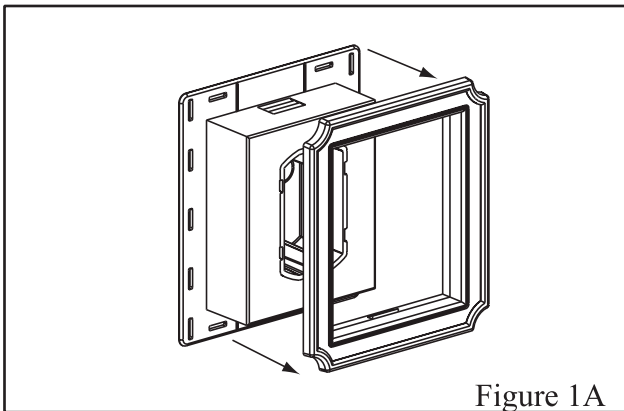
MA MID-AMERICA
Siding Components™

www.MidAmericaComponents.com

- To be installed prior to siding
- Maximum 10 lb. light fixture

Step 1

Remove the trim ring from the Block Assembly. See Figure 1A.



Step 2

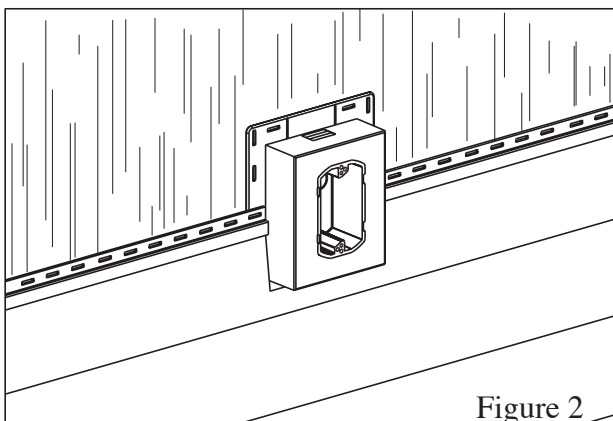
Determine where wires will come through wall and remove the corresponding knockout in the black electrical box. Align the hole with the wires.

Step 3

Place the Block over the desired application. Be sure to place tape or sealant between the Block and the house. Attach the Block using an 8d nail or equivalent with a minimum of four attachments.

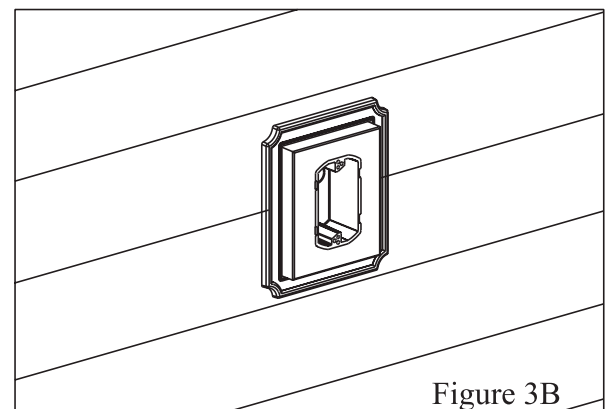
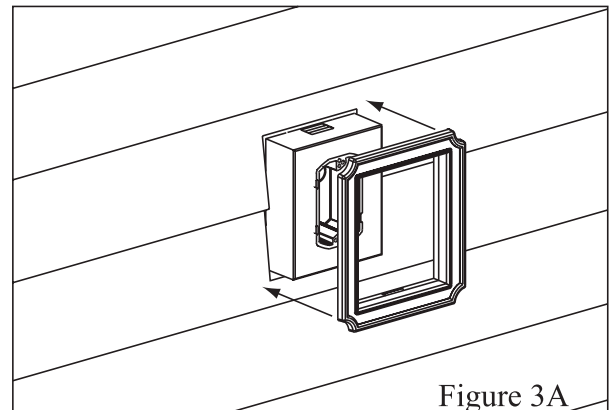
Step 4

Cut the siding around the Block. Install the siding according to the manufacturer's installation instructions. See Figure 2 below.



Step 5

Install the trim ring by locking it into place. See Figures 3A and 3B.



Step 6

Mount the fixture to the Mount Master Utility Block. Be sure that all electrical product gaskets have the proper sealant.