

Hooded Exterior Dryer Vent Installation Instructions

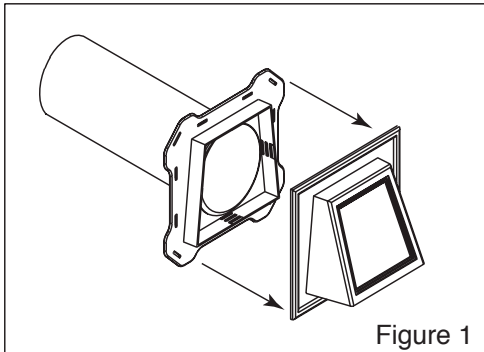
MID-AMERICA
Siding Components®

www.MidAmericaComponents.com

-To be installed prior to siding-

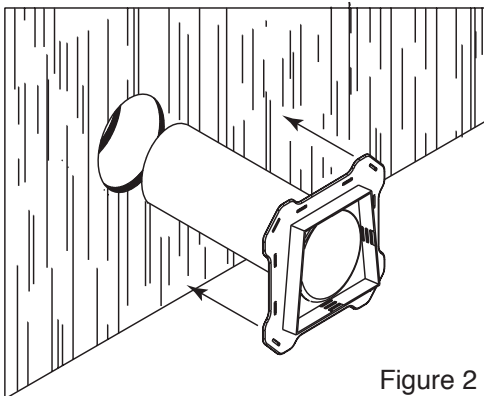
Step 1

Remove the trim ring from the Hooded Dryer Vent Assembly. See Figure 1 below.



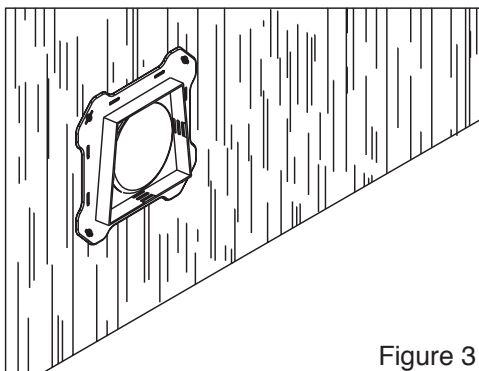
Step 2

Place tape or sealant between the Hooded Dryer Vent and house. Align the Hooded Dryer Tube with the available opening (Suggested hole size: 4 1/8" diameter.) See Figure 2 below.



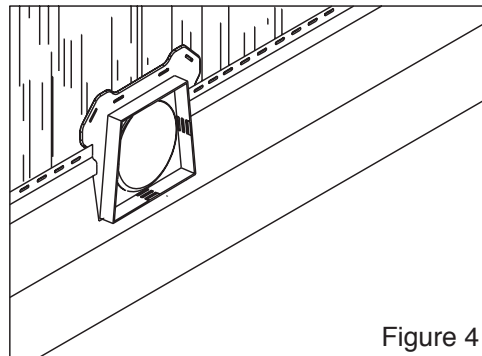
Step 3

Attach the Hooded Dryer Vent using an 8d nail or equivalent (to include a #8 x 1" long or #8 x 1 1/2" long Zinc Coated Screw) with a minimum of four attachments. See Figure 3 below.



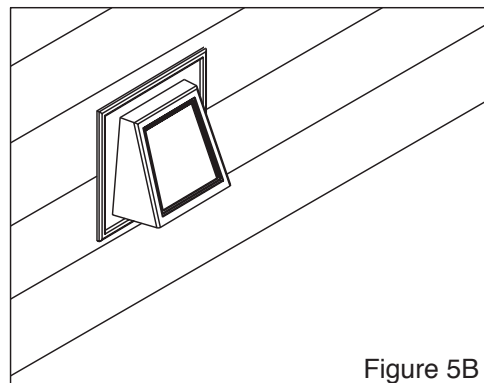
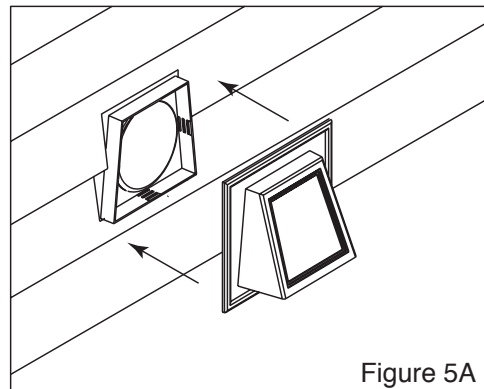
Step 4

Install the siding per the manufacturer's installation instructions. See Figure 4 below.



Step 5

Lock on the finishing trim ring. See Figures 5A and 5B below.



The Tapco
GROUP
A HEADWATERS COMPANY

©2013 Headwaters. All rights reserved.