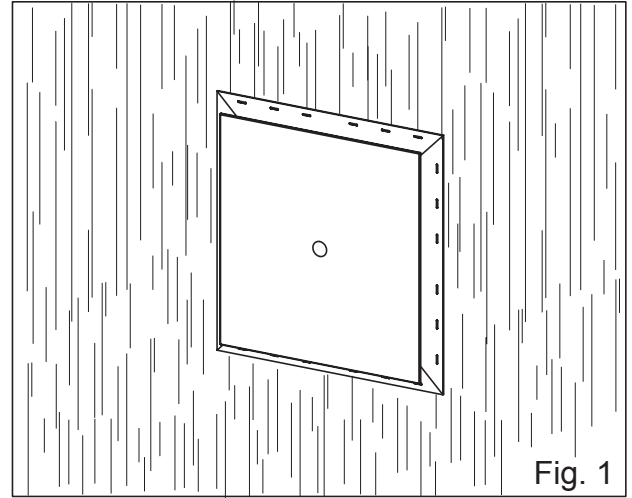


Meter Mount Installation Instructions

CAUTION: All electrical connections must be in accordance with state and local codes, ordinances, and the National Electrical Code. If you are unfamiliar with methods of installing electrical wiring and devices, secure the services of a qualified licensed electrician.

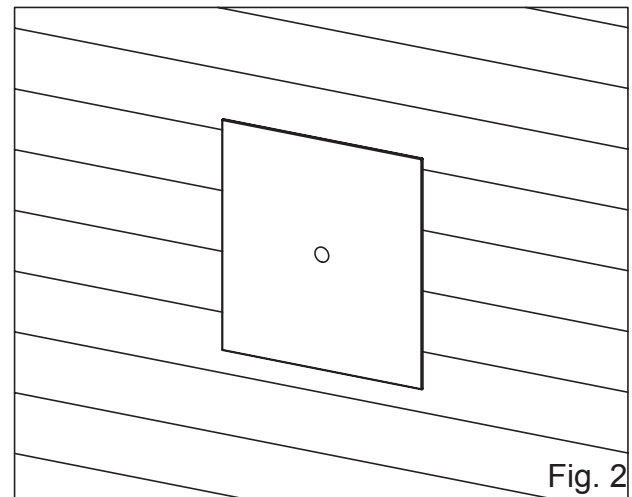
Step 1

Determine the proper location for your Meter Mount. You may need to call your local utility company for the proper height of the fixture. Once a height has been determined, secure the Meter Mount to the wall with 8d nails or equivalent. See Figure 1 at right.



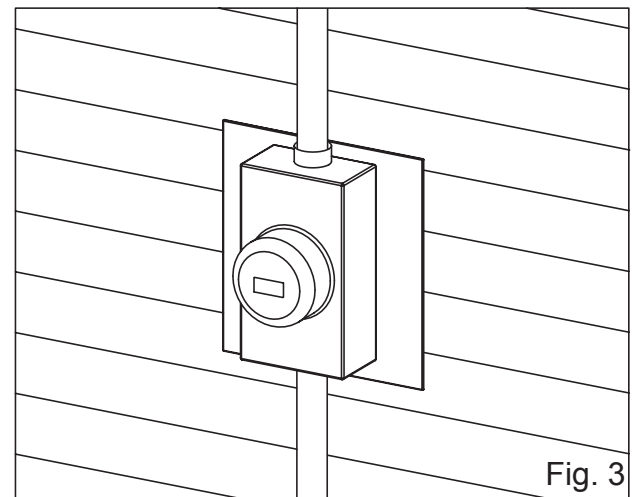
Step 2

Cut the siding to fit around the Meter Mount. The sides of the Meter Block act like a J-Channel, eliminating the need for additional siding components. Install the siding according to the manufacturer's installation instructions. See Figure 2 at right.



Step 1

Once the Meter Mount has been securely fastened to the wall, the fixture can now be attached. See Figure 3 at right.



Note: Common sense, caution and care are factors which cannot be built into any product. These conditions must be supplied by the person(s) installing the fixture.