

Recess Mini Mount

Installation Instructions

MA MID-AMERICA
Siding Components®

www.MidAmericaComponents.com

-To be installed prior to siding-

Step 1

Remove the Trim Ring from the Recess Mini Mount and fasten the mount in the desired location. See Figure 1 at right.

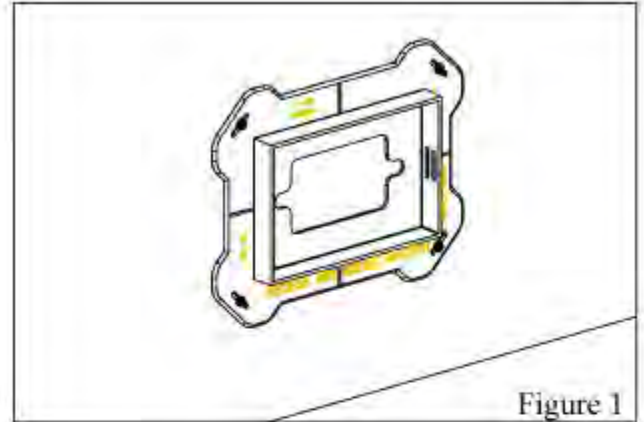


Figure 1

Step 2

Cut the siding around the Recess Mini Mount. Install the siding according to the manufacturer's installation instructions. See Figure 2 at right.

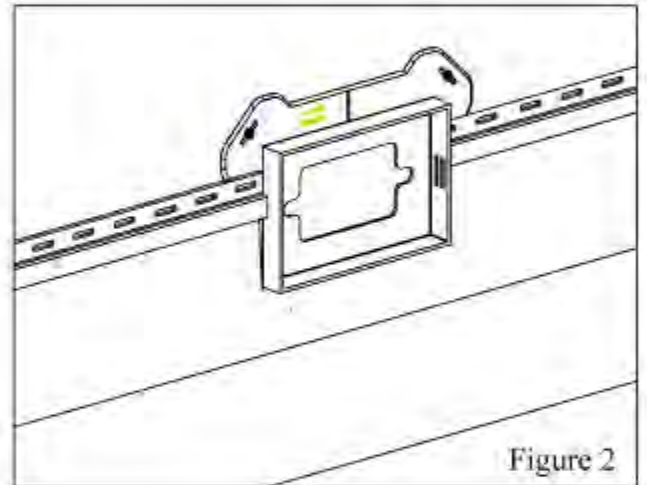


Figure 2

Step 3

Install the Trim Ring by locking it into place. See Figure 3 at right.

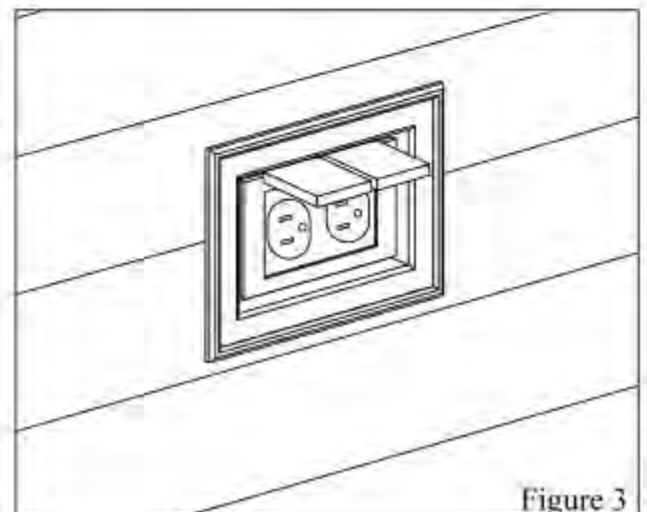


Figure 3