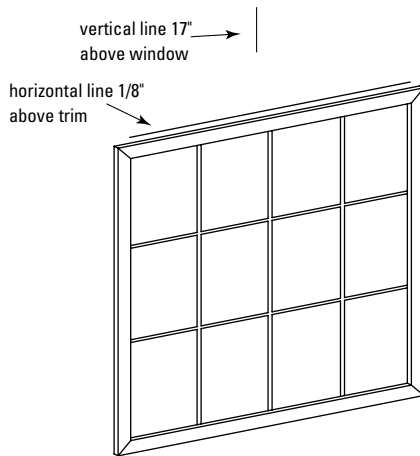


Installation Instructions – Sunburst Kit

Step 1

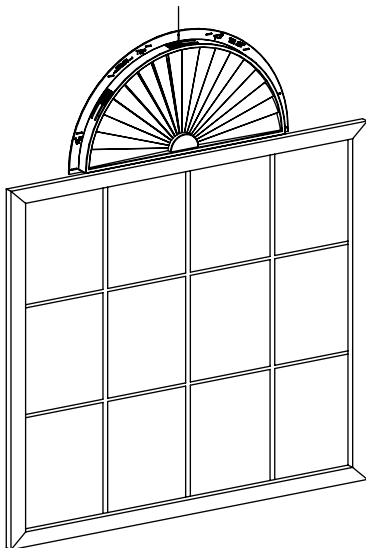
Find the center of the window and make a vertical mark approximately 17" above the window. Then draw a horizontal line across the top of the window 1/8" above the frame.

Note: The siding has been omitted from the illustrations for clarity.



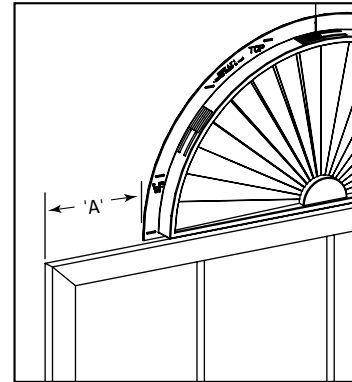
Step 2

Place the bottom edge of the Sunburst Base on the horizontal line above the window. Center the Sunburst on the vertical mark above the window. Fasten Base to the wall using siding nails or screws. To allow for expansion, do not fasten too tightly.



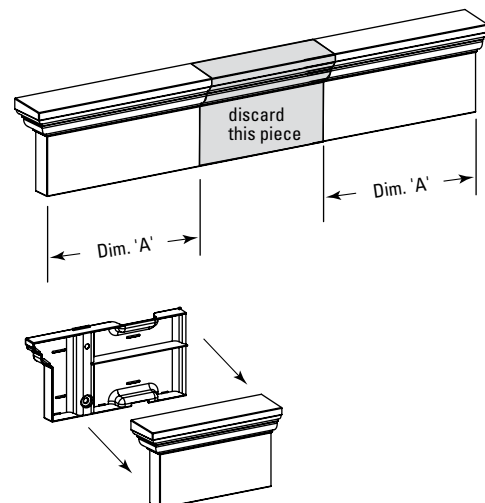
Step 3

Measure from the edge of the Sunburst Base to the point where you want the header to end (Dim. A). See figure below. Both sides should measure the same if the Sunburst was centered correctly.



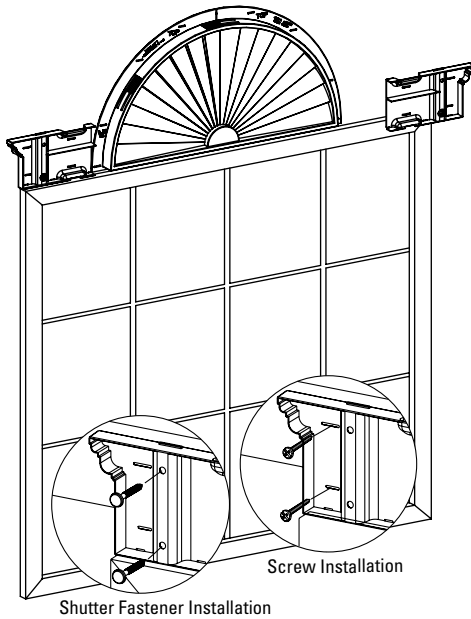
Step 4

With the Header and Header Base assembled, cut the assembly to Dim. 'A'. See figure below. Repeat for the other side of the sunburst. Once the Header assembly has been cut, disengage the locking tabs and remove the Header from the Header Base.



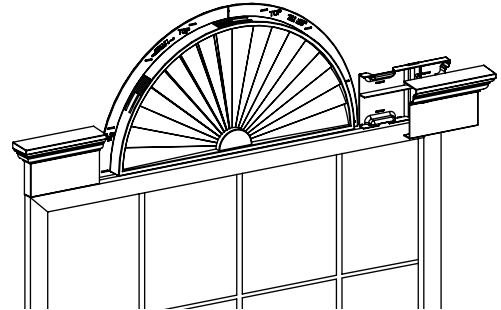
Step 5

Use the elongated slots in the Header Base and attach the base to the house using the screws provided. Alternatively, the preferred method is to use shutter fasteners. The raised portions of the Header Base with the round holes receive the shutter fasteners. Attach shutter fasteners by drilling ¼" holes into the wall. Be sure not to fasten the screws or shutter fasteners too tightly to allow for expansion and contraction.



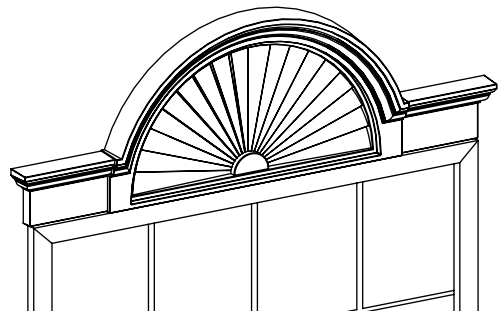
Step 6

With the Header Base securely fastened to the wall, attach the Header by snapping it in place.

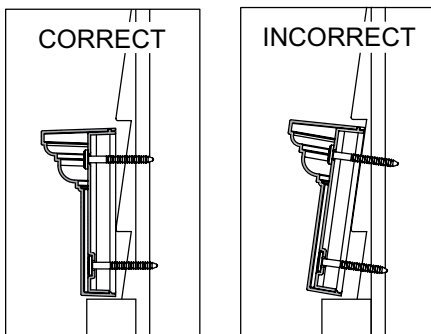


Step 7

Once the Headers have been securely fastened in place, the Sunburst Header Trim Ring can now be attached. Snap the Sunburst Header Trim Ring over the Sunburst Base and the Header Assemblies.

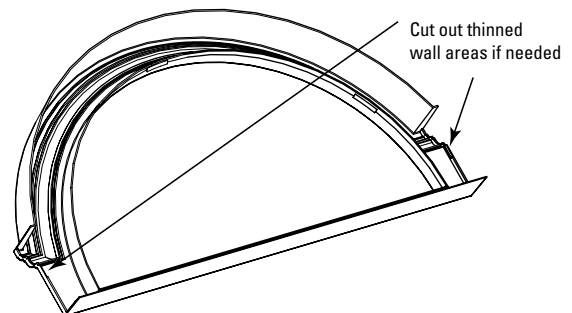


Note: The figures below show cross sections of the Header in place. In some instances the Header may rock on the high point of the siding. To overcome this problem, insert the screws or shutter fasteners into the wall evenly, working between top and bottom.



IF USING DENTIL HEADER

If the dentil teeth land on the sides of the Sunburst Header Trim Ring, it will need to be trimmed to properly snap in place. Trim thinned areas on the Sunburst Header Trim Ring with a utility knife as shown.



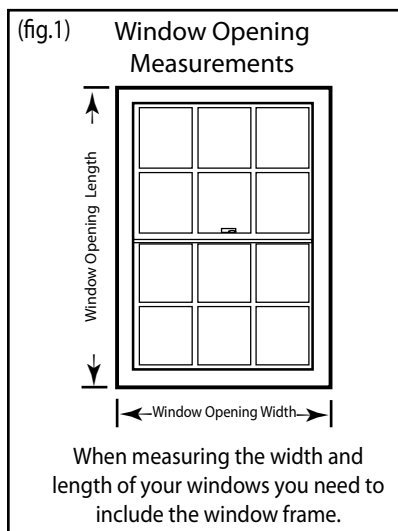
Measuring Windows

Steps to Measure and Select a Window Look

- Step 1 Measure the Width and Length of your Window Opening** to get the Exterior Window Opening dimensions (fig.1). Remember to include the window frame in your measurement.
- Step 2 Choose Shutter Style:** Louver, Raised Panel, Louver-Panel, or Board & Batten.
- Step 3 Choose Shutter Type:** Standard or Custom. **Note:** Not all shutter styles are available Standard and Custom. See Pricing Manual.
- Step 4 Determine Shutter Width.** **Note:** See charts in Pricing Manual for available widths of Standard or Custom shutters.
- Step 5 Determine Shutter Length.*** **Note:** This number should be the same number as the window length determined in Step 1.
- Step 6 Choose a "TOP":** Header, Sunburst Kit, Sunburst, Elliptical Sunburst, Quarter Round Arch Top or Elliptical Arch Top.

*A note about shutter length.

Shutters are decorative and do not open and close. Because they are decorative, they don't have to match the window length exactly. They can be up to an inch short or long and will still look fine on a window.



Header Options

(**Note:** Header width is measured along the base width of the header for windows and doors)

Determine the header width (2 options)

Option 1

Use window opening width measurement from step 1 on page 1.

Option 2

Use window opening width measurement from step 1 on page 1. Take shutter width from step 4 and double it. Add these two measurements together to get header width.



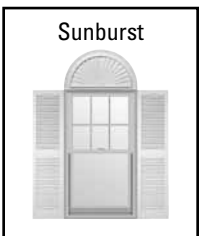
Sunburst Options

Note: Use of half round or elliptical sunburst in a look is limited by the width of window opening and shutter width.

Determine Sunburst Size

Use window opening width measurement determined in step 1 on page 1.

Note: Sunburst should be the same width as the window opening width.



Determine Elliptical Sunburst Size

The elliptical sunburst is available in 73 5/8" and 65 5/8" widths only. To see if this look will fit on your window, take the window width from step 1 on page 1 and subtract it from the sunburst widths. Take that number and divide by two. The final number would be your shutter width.



Determine Sunburst Kit Size

The Sunburst Kit is available in size ranges. The Header part can be cut to fit the desired width. Use the window width determined in Step 1 on page 1. Add the shutter width determined in step 4 on page 1 two times. Order the Sunburst Kit that fits that size.

